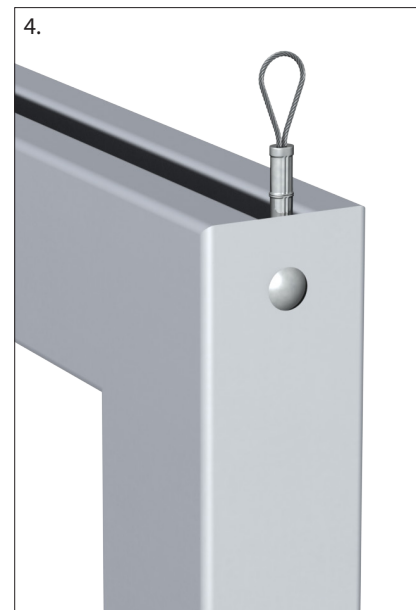
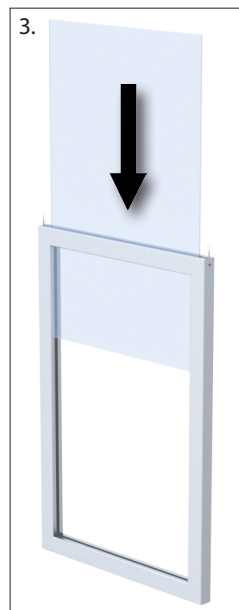
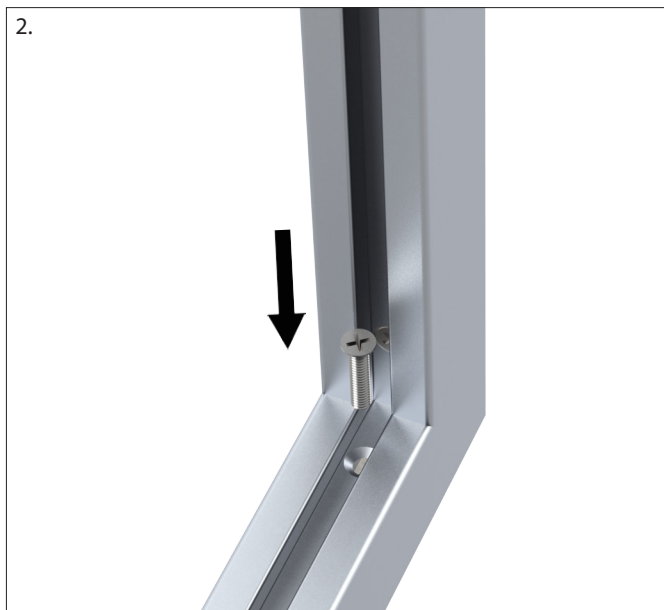
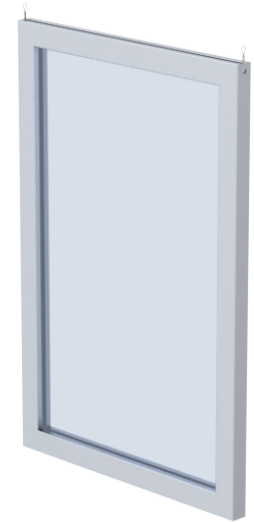
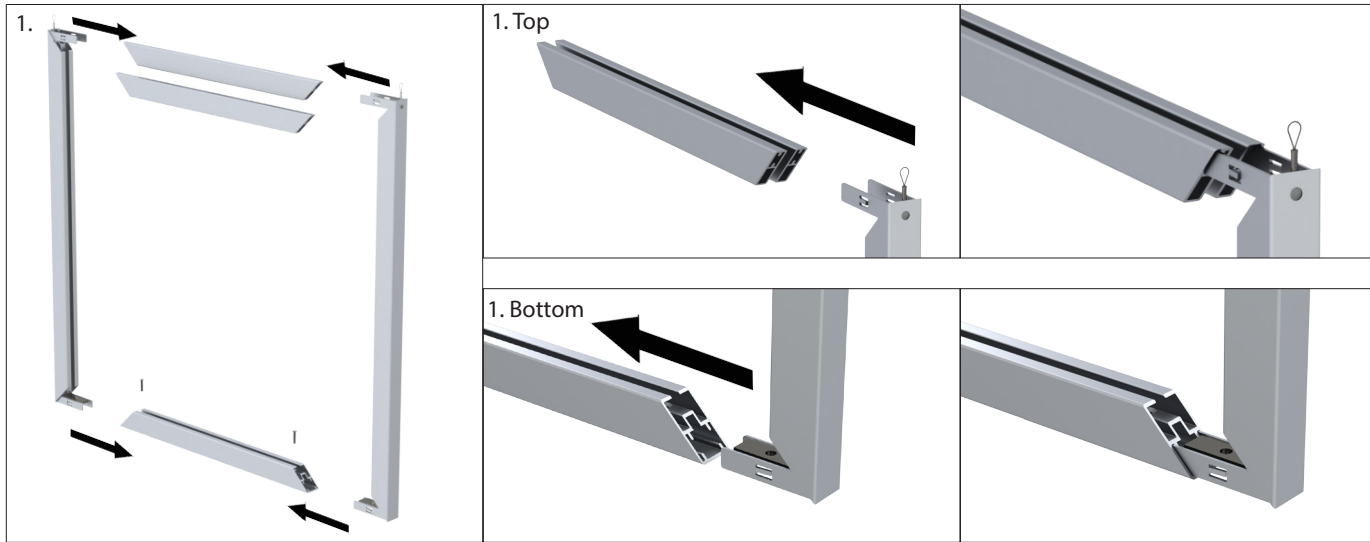


Hanging Monster Frame™ - NSH -CP/-CL Series, Ceiling Mount

1. Insert L-Brackets of Frame Sides into slots of Frame Top and Bottom.
2. Fasten (2) screws at Bottom Frame Section.
3. Insert graphic.
4. Use (2) eye loops on frame for hanging.

NOTE: Model shown below may differ from your model. Although the number of upright sections may change, assembly instructions remain



NSH1-CP (Ceiling Mount) shown